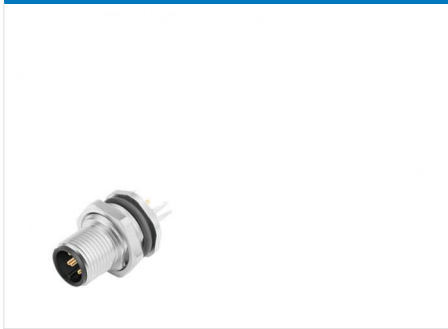


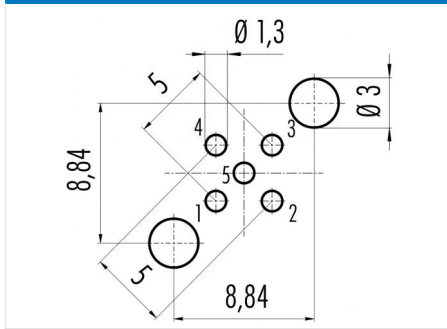
Product description **M12-A male panel mount connector, Contacts: 5, shielded, dip-solder, IP68, UL, PG9**

Area **M12-A series 713**  
 Order number **86 0531 1120 00005**

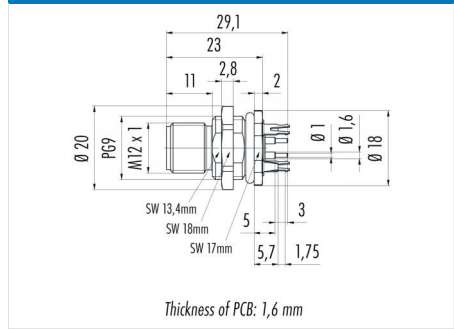
**Illustration**



**Conductor layout**



**Scale drawing**



**Contact arrangement (Plug-in side)**

	X	Y
1	2,50	0,00
2	0,00	2,50
3	-2,50	0,00
4	0,00	-2,50
5	0,00	0,00

- 1 braun/brown
- 2 weiß/white
- 3 blau/blue
- 4 schwarz/black
- 5 grau/grey

Geschirmte Versionen: Schirm auf Gehäuse  
 Shielded versions: shield on housing

You can find the assembly instructions on the next page.

**Technical data**

**General values**

**Notice** Please note that, due to the change from the old to the new order number, there may be deviations in the technical specifications. For questions about product details, please use the 'Contact Customer Service' form on the right.

**Connector design** male panel mount connector  
**Connector locking system** screw  
**Termination** dip-solder  
**Upper limit temperature** 85 °C  
**Lower limit temperature** -40 °C  
**Customs tariff number** 85369010  
**Packaging Unit** 20

**Cable data**

Approval 1 UL

**Electrical values**

**Rated current (40 °C)** 4 A (3 A UL)  
**Rated voltage** 60 V  
**Rated impulse voltage** 1500 V  
**Pollution degree** 3  
**Overvoltage category** II  
**Insulating material group** III  
**Insulation resistance** > 10<sup>8</sup> Ω  
**EMC compliance** shielded  
**Degree of protection** IP68  
**Mechanical operation** > 100 Mating cycles

**Material**

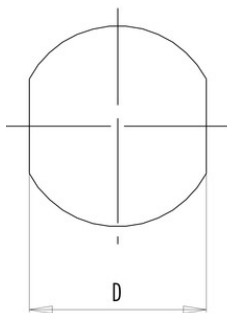
**Contact material** CuZn (brass)  
**Contact plating** Au (gold)  
**Contact body material** PA  
**REACH SVHC** CAS 80-05-7 (4,4'-isopropylidendiphenol)  
 CAS 7439-92-1 (Lead)  
 CAS 61788-32-7 (Terphenyl, hydrogenated)

Product description **M12-A male panel mount connector, Contacts: 5, shielded, dip-solder, IP68, UL, PG9**

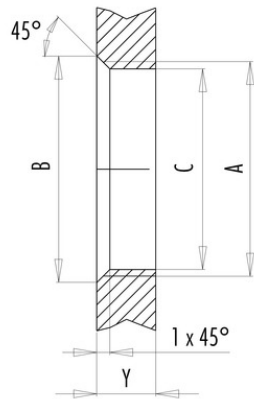
Area **M12-A series 713**  
 Order number **86 0531 1120 00005**

Assembly instructions / Panel cut-out

With flats as anti-rotation device



With bore hole



Installation direction:  
o-ring sits on chamfer.

Thread	Measures			Tightening torque	
	B (mm)	C (mm)	D (mm)	Metal housing/ Positioning sleeve	Plastic housing/ Positioning sleeve
PG 9	16,2	15,3	13,5	1,25 Nm	1,25 Nm
PG 11	20,2	18,7	17,0	2 Nm	–
PG 13,5	21,5	20,5	–	2 Nm	–
M12 x 0,5	–	12,1	–	–	0,4 Nm
M12 x 1	–	12,2	–	1 Nm	–
M14 x 1	15,2	14,2	–	1,25 Nm	–
M16 x 1,5	17,0	16,1	13,5	1,25 Nm	1,25 Nm
M20 x 1,5	21,0	20,1	–	2 Nm	1,25 Nm

Thickness of wall Y (mm)		
Version	min (mm)	max (mm)
Fastened from back side	2	3,5
Front fastened	2	4,5
Positioning possible <sup>1)</sup>	2	3,5
Screw clamp	2	3,5
Thread M12 x 1	2	3,0
Thread M14 x 1 <sup>2)</sup>	<sup>3)</sup> 1,5/ <sup>4)</sup> 2	6,5

Notes

- <sup>1)</sup> Do not attach a chamfer
- <sup>2)</sup> Wall thickness:  
use locknut 01-5385  
up to 1,5 mm,  
>1,5 mm cut thread
- <sup>3)</sup> Nut
- <sup>4)</sup> Thread in wall of housing

Product description	<b>M12-A male panel mount connector, Contacts: 5, shielded, dip-solder, IP68, UL, PG9</b>
Area	<b>M12-A series 713</b>
Order number	<b>86 0531 1120 00005</b>

## Security notices

The connectors are designed for use in plant, control system and electrical equipment. The end user is responsible for checking whether the connectors are suitable for use in other applications. Connectors with degree of protection IP 67 and IP 68 are not suitable for use under water. When used outdoors, the connectors must be separately protected against corrosion. For further information about IP degrees of protection refer to 'Technical support' in the Download Centre.